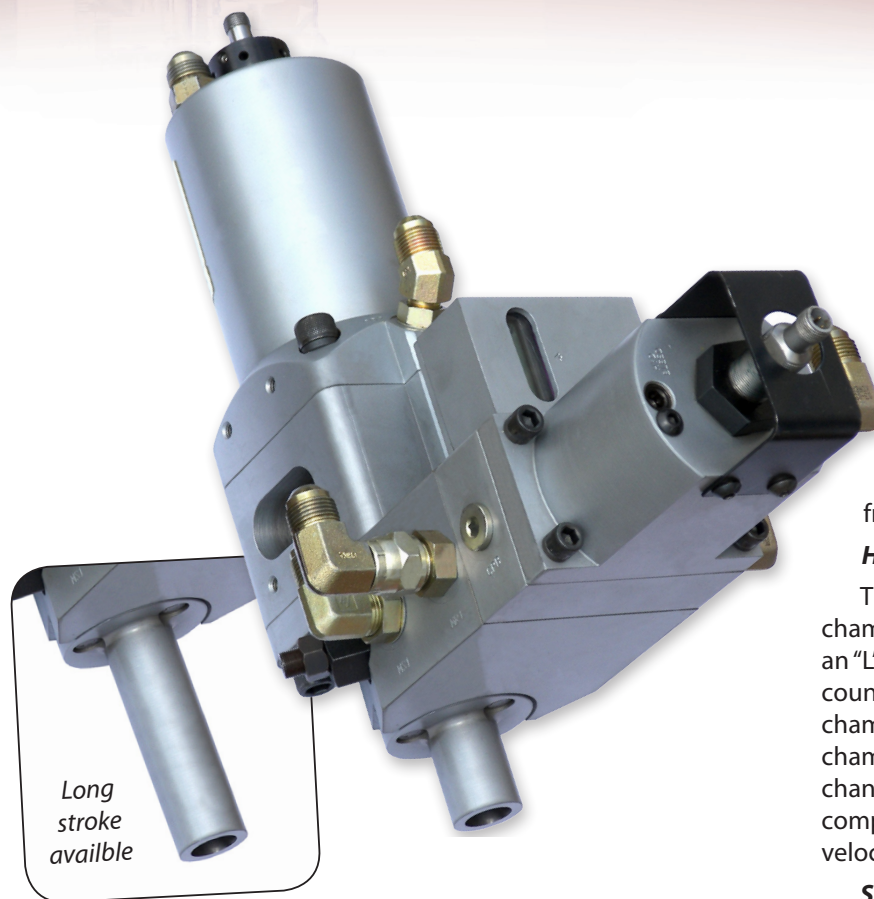


L-Style High-Pressure Mix Heads from Linden Industries.



Ideal for use with:

- Molded Foam
- Flexible Foam
- Rigid Foam
- Filled Systems
- RRIM
- RIM
- SRIM

Precision Components and Reliability

Linden mix heads incorporate unique alloys, precision machining, and specialized surface treatment of critical components. As a result, Linden mix heads offer uncompromising accuracy and reliability.

Mix Head Warranties

Each Linden mix head warranty is based upon the systems that will be ran in the mix head and mix head material selection. Warranties range from 1,000,000 to 30,000 shots for highly abrasive systems, depending upon the application.

Shot Counter

The shot-counter is unique to Linden mix heads and provides a method to identify when a mix head is due for preventive maintenance.

L-Head Technology

Linden L-Style mix heads are available in both patented 120° impingement and 180° impingement models for superior mixing, laminar flow, and splash free pouring.

How It Works

This design features two mixing chambers perpendicular to each other in an "L" shape. The material components counter impinge in a small horizontal chamber and are forced into a larger chamber from where they exit. The 90° change in direction results in further component mixing and slows the material velocity, resulting in a laminar discharge.

Self-Cleaning

Both mixing chambers are equipped with hydraulically operated plungers.

Material Recirculation

Grooves in the control plunger allow material recirculation and conditioning when the mix head is closed. Conditioning the material ensures uniform ratios and component temperature when the mix head is ready to pour.

Multi-Component Capabilities

Linden offers standard 2 and 3-stream L-Style mix heads. Custom mix heads with 4 or more components are available.

Hydraulically Controlled Orifices

All Linden mix heads can be fitted with hydraulically adjustable orifices that allow for on-the-fly changes in ratios, densities, and component streams.

Linden Industries, Inc.
137 Ascot Parkway, Cuyahoga Falls, Ohio 44223
Telephone: 330.928.4064 • Fax: 330.928.1854
Emergency Service 24/7: 330.928.4064
info@lindenindustries.com • www.lindenindustries.com

LINDEN
Linden Industries, Inc.
Polyurethane Processing Equipment





Mix Head Output Ranges (gm per sec.)

L-Head Models

(2-Stream)	(3-Stream)	Ratio	1:1	2:1	3:1
MHL 3/5-2-38-180		Closed	N/A	N/A	N/A
		Open	15-50	20-38	N/A
MHL 5/8-2-38-180		Closed	25-110	37-82	50-74
		Open	25-82	37-62	39-50
MHL 6/10-2-38-120	MHL 6/10-3-38-180	Closed	60-220	90-165	120-150
		Open	60-165	90-125	95-110
MHL 8/12-2-38-120	MHL 8/12-3-38-180	Closed	77-292	116-242	123-223
		Open	77-220	116-182	123-168
MHL 10/14-2-38-120	MHL 10/14-3-38-180	Closed	90-610	135-460	180-410
		Open	90-460	135-345	180-310
MHL 12/19-2-38-120	MHL 12/19-3-38-180	Closed	160-1050	240-790	320-700
		Open	160-790	240-590	320-525
MHL 14/20-2-38-120		Closed	300-1275	451-1150	601-1000
		Open	300-956	451-862	601-749
MHL 16/25-2-48-120	MHL 16/25-3-48-180	Closed	600-2150	900-1610	1200-1440
		Open	600-1600	900-1200	950-750

Duplex (Double L-Head) Models

MHDL 6/6/10-4-38-120	Closed	60-220	90-165	120-150
	Open	60-165	90-125	95-110
MHDL 8/8/12-4-38-120	Closed	77-292	116-242	123-223
	Open	77-220	116-182	123-168
MHDL 10/10/14-4-38-120	Closed	90-610	135-460	180-410
	Open	90-460	135-345	180-310

VALUES ARE APPROXIMATE AND DEPENDANT ON RUNNING PARAMETERS

Electrical Feedback & Data Collection. Mix Head Repair Services.

The head comes equipped with proximity switches on both the clean-out and control plungers which indicate the head opening and closing. This electrical feedback can be integrated into the machine controls and utilized in conjunction with one of Linden's three data collection/process optimization software packages; **ProVu™**, **MicroProcessVu™** and **GlobalProcessVu™**.

Linden's staff is experienced in the repair of all brands of mix heads: EMB • KRAUSS-MAFFEI • HENNECKE • MHR • KONAL • DECKER • CANNON • GUSMER-ADMIRAL • OMS/IMPIANTI • HI-TECH. We offer the industry's best repair warranty 30,000 shots or 2 months whichever comes first.

"The head has close to a million shots and still running like a champ.

We love it!"

Ray Taylor
East Pattern &
Model Corporation

Linden Mix Heads.

Linden Industries offers a full line of mix heads for all polyurethane applications. Each Linden mix head features a compact, user-friendly design, shot-counter and an unparalleled warranty.

